

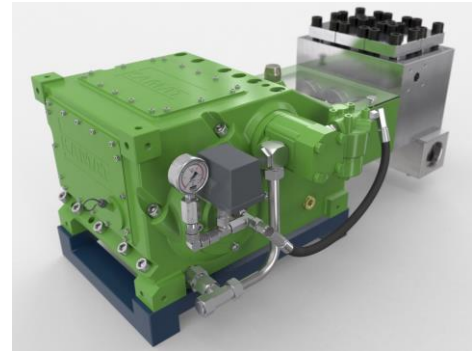
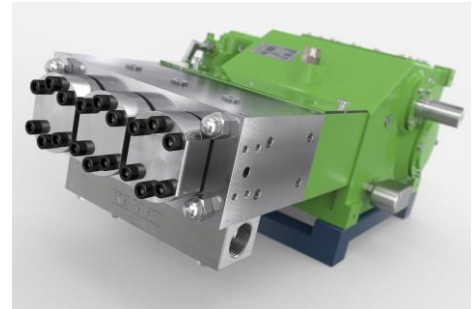
三柱塞泵 K 18000 - 3G

Triplex Plunger Pump

P 27-1

20.05.2015

- 流量基于100%的容积效率和20°C的环境温度
- 最小入口压力取决于流体介质
- 速度范围10-100%取决于连杆力
- 动态平衡齿轮
- 齿轮强制润滑 (> 130 kW, 带油冷却器)
- 标准减速比
i = 3,00 - 3,14 - 3,39 - 3,76 - 4,13 - 4,50 - 4,93
- 适用API 674标准
- 根据要求, 可以使用特殊介质, 例如海水, 乙二醇, 甲醇, 油等



- Flow rate is based on 100% volumetric efficiency and 20°C ambient temperature
- min. inlet pressure depending on fluid medium
- Speed range 10-100% depending on rod force
- Gear dynamically balanced
- Gear with force-fed lubrication (> 130 kW with oil cooler)
- Standard gear ratios
i = 3,00 - 3,14 - 3,39 - 3,76 - 4,13 - 4,50 - 4,93
- Also available to API 674
- Special medium such as sea water, glycol, methanol, oils, etc. on request

n _{nom} max. = 500 1/min		p max. bar @ kW				Kopftyp / Head type		
Typ / Type	l/min	110 kW	130 kW	160 kW	180 kW	A	M	MC
K 18014 - 3G	24	2400	2890	3500	-----	1		
K 18016 - 3G	32	1840	2210	2680	3010	1		
K 18018 - 3G	40	1460	1740	2120	2360	1		
K 18020 - 3G	49	1190	1420	1715	1910	1		
K 18022 - 3G	60	970	1170	1420	1500	2		
K 18024 - 3G	71	820	980	1190	1325	2		
K 18026 - 3G	84	690	840	1020	1130	2		
K 18028 - 3G	97	600	720	875	975	2		H
K 18030 - 3G	111	525	630	760	850	2		H
K 18032 - 3G	127	460	555	670	750	2		H
K 18036 - 3G	160	365	435	530	590	2	1	H
K 18040 - 3G	198	295	355	430	475		1	1
K 18045 - 3G	250	230	280	340	375		1	1
K 18050 - 3G	309	190	225	275	305		1	1
K 18055 - 3G	374	155	190	230	250		1	1
K 18060 - 3G	445	130	160	190	210		1	1
K 18065 - 3G	522	110	135	160	180			1

API 674 = max. 340 1/min

= Ultra High Pressure UHP

尺寸图 K 18000 - 3G

Dimension drawing

~ 440 kg P 27-2

01.05.2017

